

aquatica®

Function, Form & Fashion



Modul-190

Floor Mounted Bath Filler

Installation & Care Manual

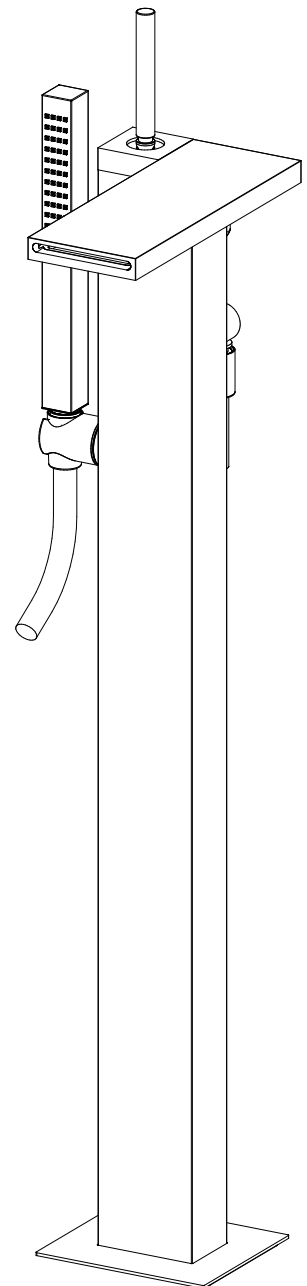
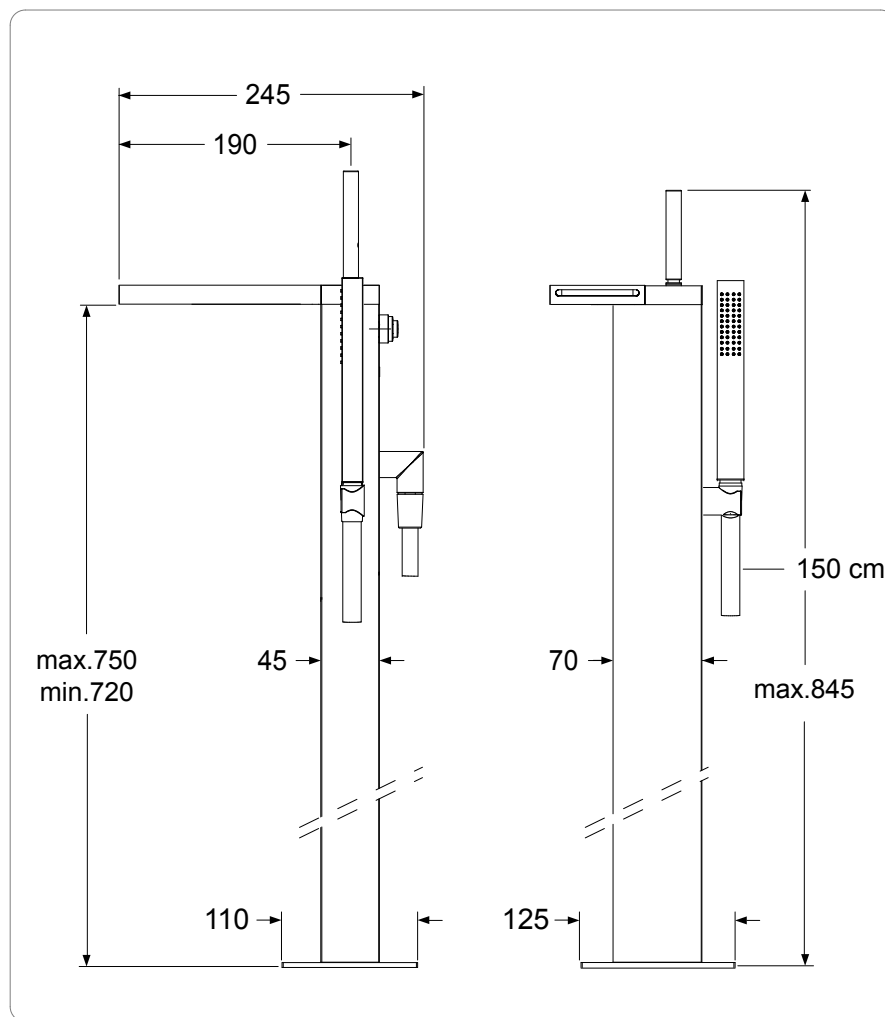
Europe / International

Modul-190

Floor Mounted Bath Filler

PARTS LIST

 MEASUREMENTS: mm

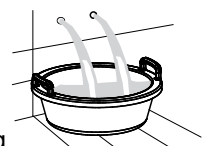


SPECIFICATIONS

Recommended operational pressure	1-5 bar
Maximum test pressure	16 bar
Maximum hot water temperature	80 °C
Recommended temperature	50-60 °C
Pressure difference between hot and cold water	max. 1,5 bar

IMPORTANT NOTE

- Installation to be performed by qualified personnel
- Before connecting to mains, bleed the pipes to avoid damage.

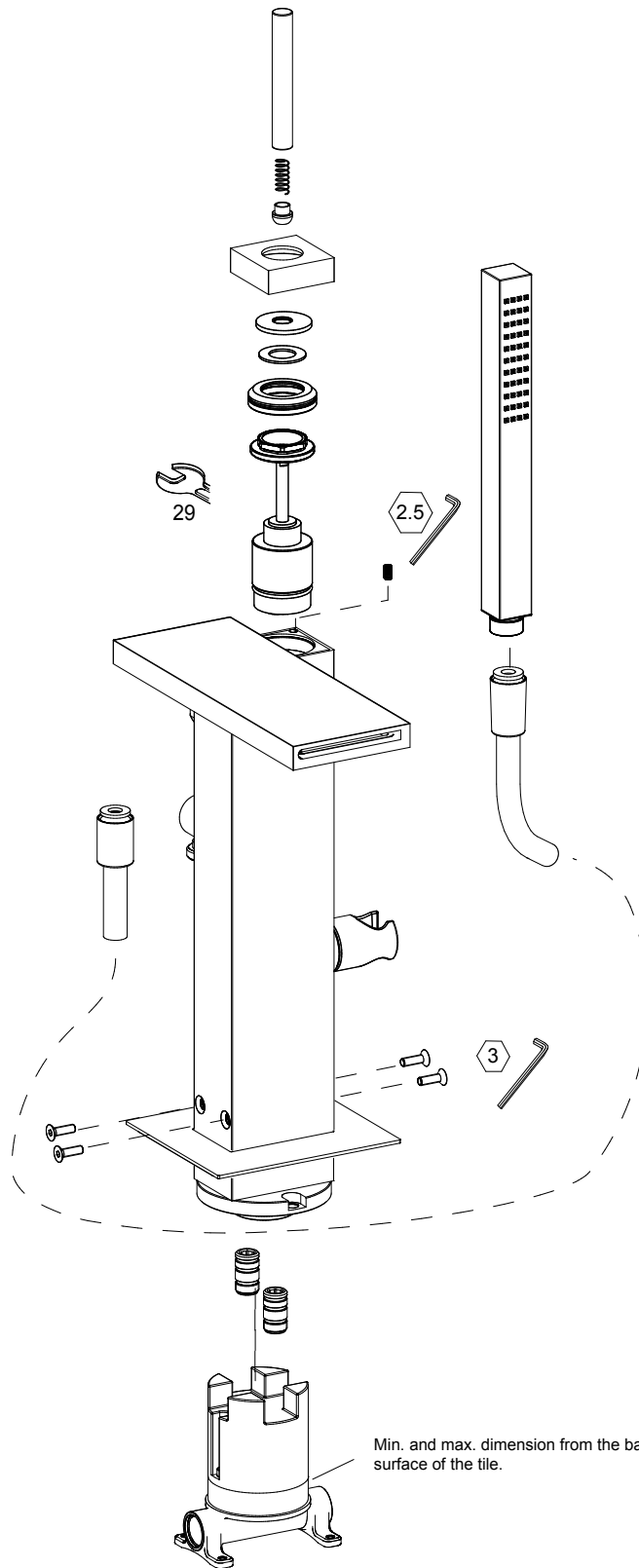


Modul-190

Floor Mounted Bath Filler

PARTS LIST

aquatica®
Function, Form & Fashion

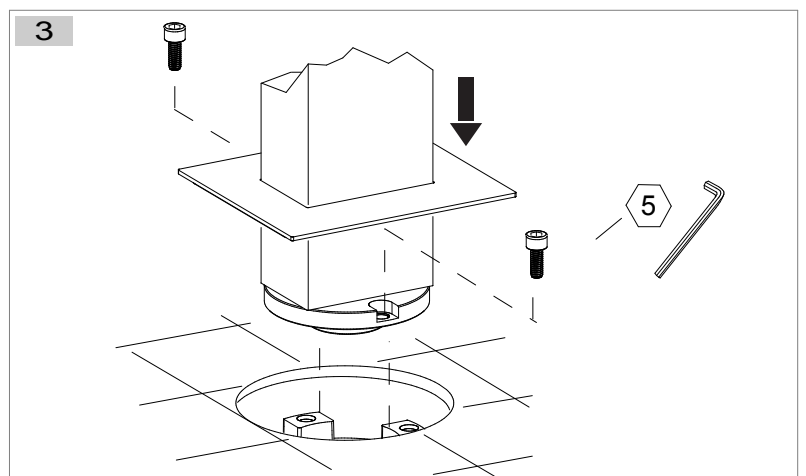
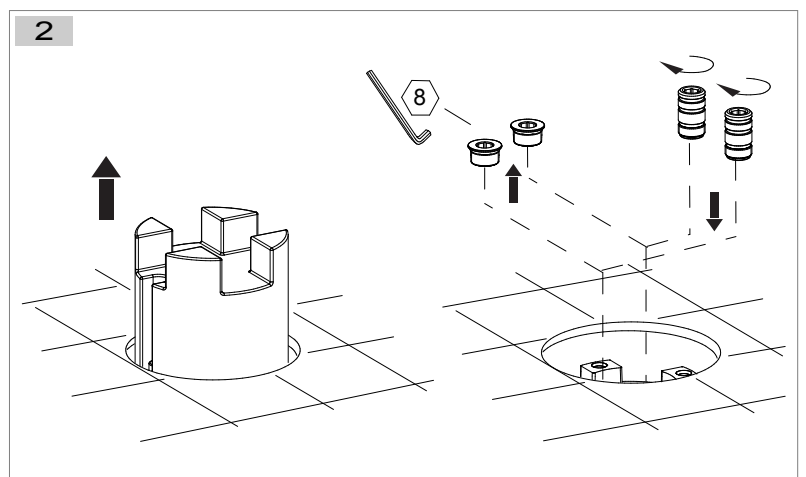
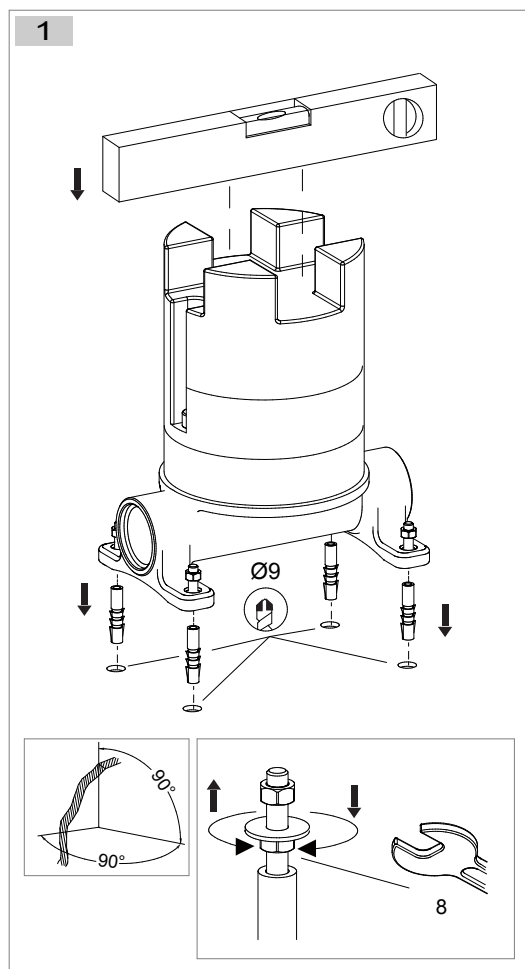
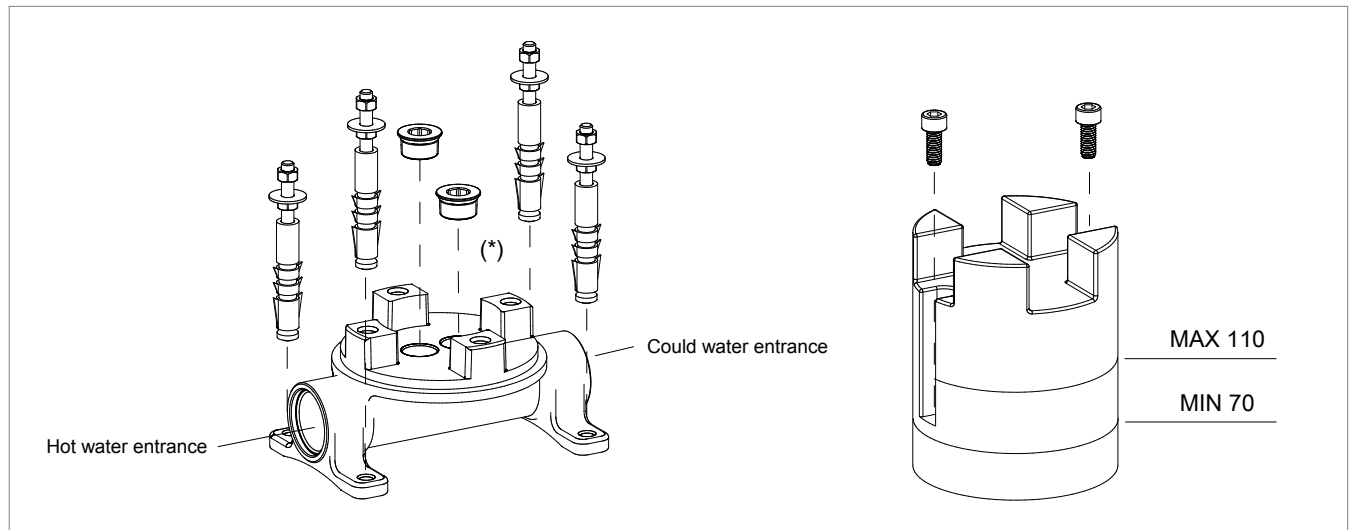


aquatica®
Function, Form & Fashion

Modul-190

Floor Mounted Bath Filler

INSTALLATION SEQUENCE



aquatica®

Function, Form & Fashion

